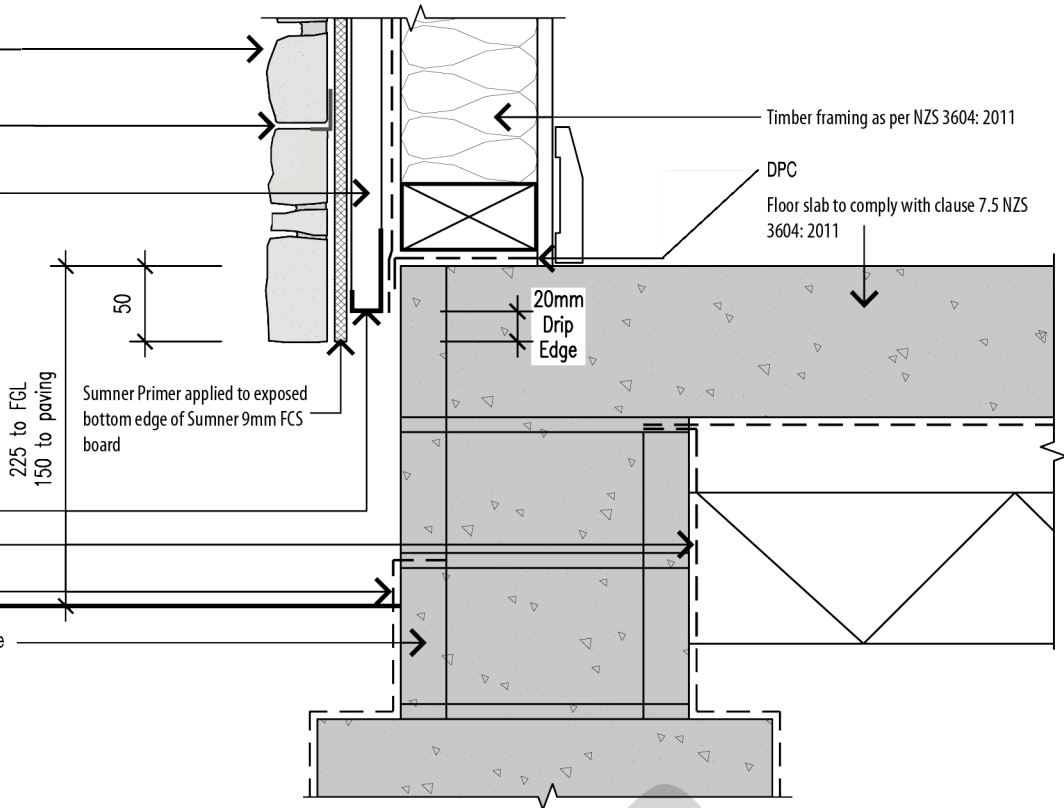


SUMNER stone veneer fixed with SUMNER Grip adhesive to 9mm SUMNER Board after first coating with SUMNER Prime.

SUMNER L Fixings at 600mm Vertical and Horizontal centers

SUMNER 45x18mm Battens over Frame Protection System complying with NZBC



1.0

Standard Slab Edge Detail

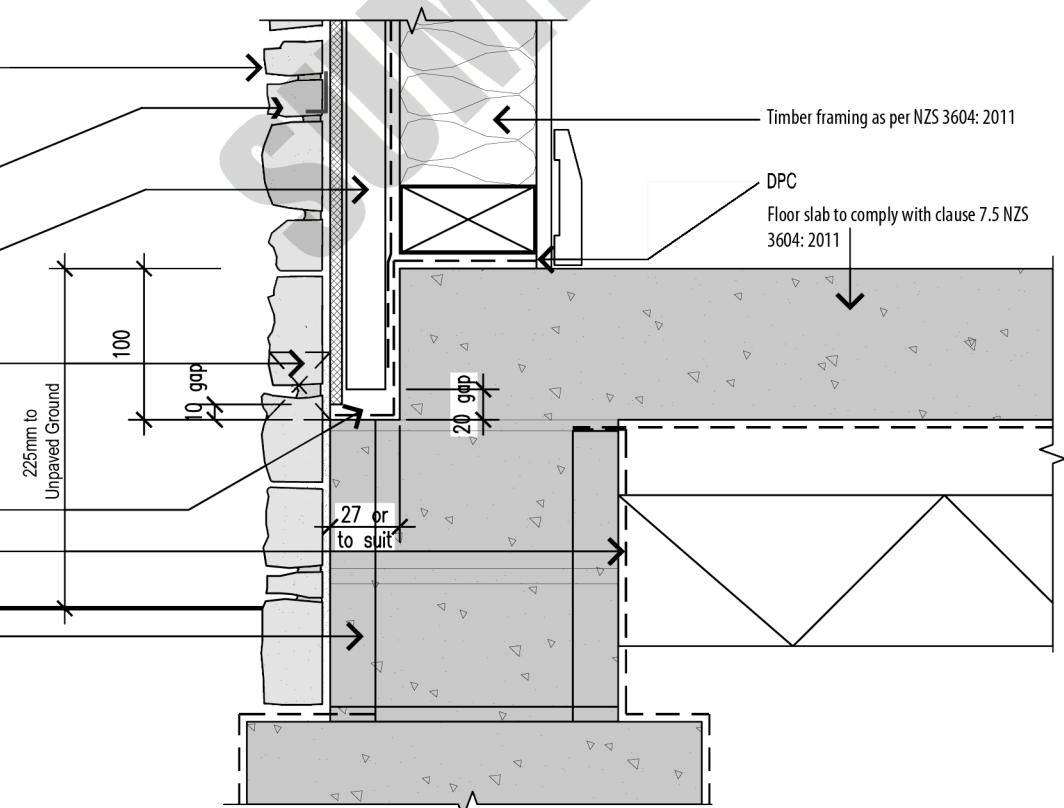
SCALE	NTS	DATE	October 14
		Original Stone Co Ltd PO Box 125 029, St Heliers Auckland 0800 157 340	

SUMNER stone veneer fixed with SUMNER Grip adhesive to 9mm SUMNER Board after first coating with SUMNER Prime.

SUMNER L Fixings at 600mm Vertical and Horizontal centers


SUMNER 45x18mm Battens over Frame Protection System complying with NZBC

10mm wide vertical weep hole at 575 to 600mm centres



2.0

Rebated Slab Edge Detail

SCALE	NTS	DATE	October 14
		Original Stone Co Ltd PO Box 125 029, St Heliers Auckland 0800 157 340	