

SUMNER stone veneer fixed with SUMNER Grip adhesive to 9mm SUMNER Board after first coating with SUMNER Prime

SUMNER Tape used over head flashing and Frame Protection System prior to installing the cavity

SUMNER 18mm Batten System

E2 Flashing 19mm UPVC cavity closer

Sumner fixings installed at 600mm centres using 10q x 40 Stainless Screw

Building Wrap dressed into corners with SUMNER BITUTAPE and tape to joins of building wrap.

Install Inseal 3259 6.0x1.5mm between powdercoated head flashing and window frame

Powdercoated head flashing with 40mm upstand and 10mm drip edge

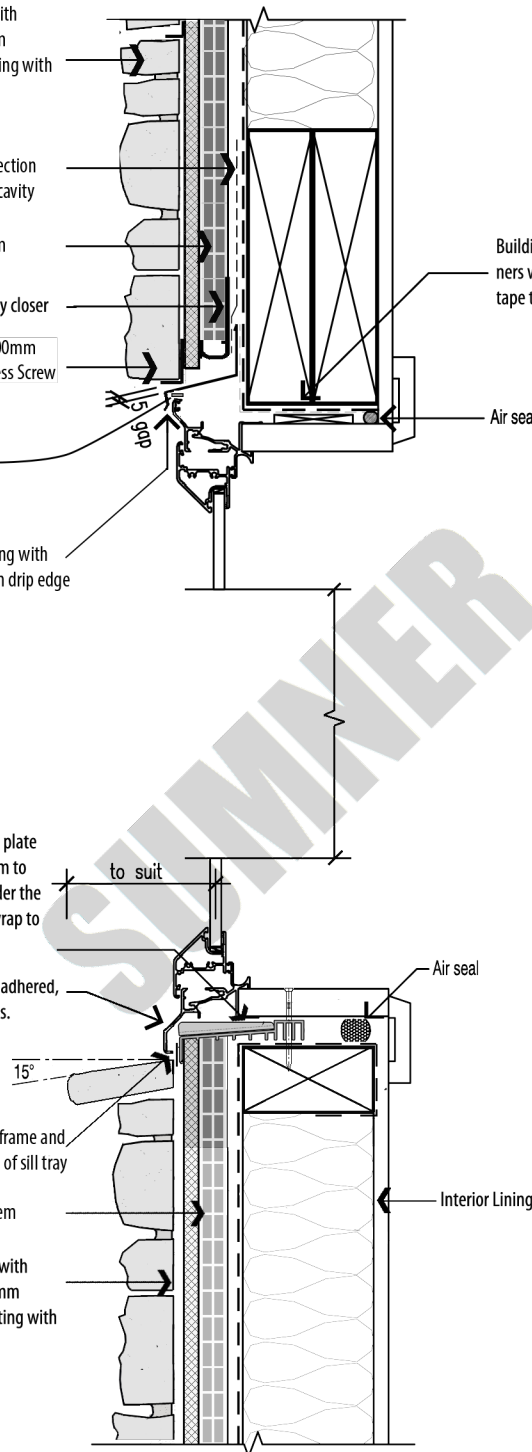
Builder should lower the top plate of window spandrel by 20mm to allow for Sill tray system under the window. Then Fit building wrap to corners with SUMNER TAPE.

uPVC Silltray with stop ends adhered, and draining support wedges.

5mm gap between window frame and SUMNER Tape laping bottom of sill tray

SUMNER 18mm Batten System

SUMNER stone veneer fixed with Sumner Bond adhesive to 9mm Sumner Board after first coating with Sumner prime.



# 3.1

## Sumner Stone Veneer Head and Sill Detail (for timber frame structures)

SCALE

NTS

DATE

DECEMBER 2011



Original Stone Co Ltd  
PO Box 125 029, St Heliers  
Auckland 0800 157 340