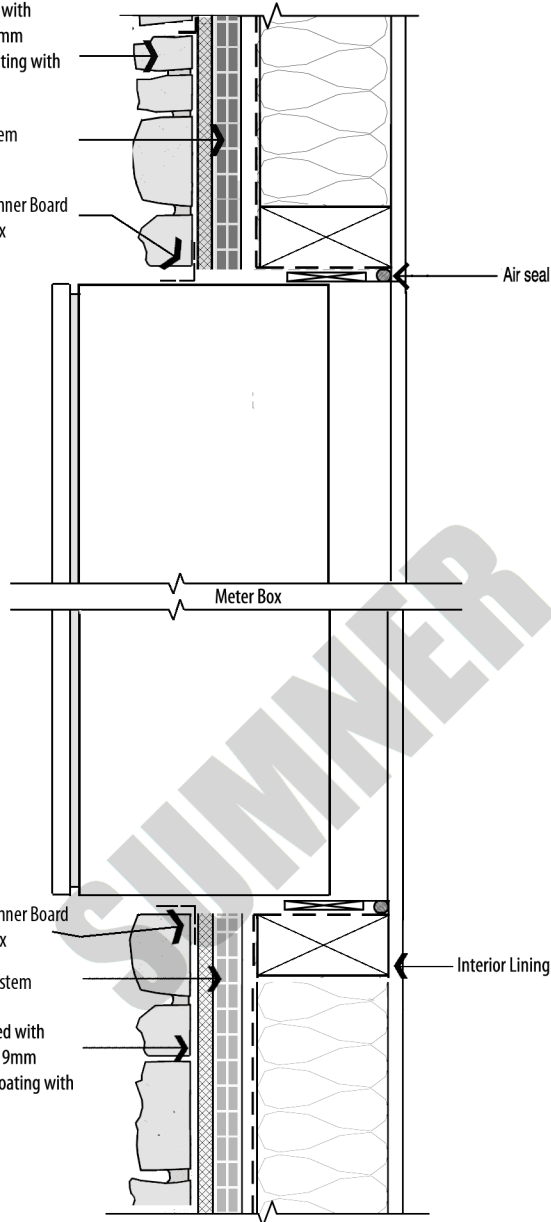


SUMNER stone veneer fixed with Sumner Bond adhesive to 9mm Sumner Board after first coating with Sumner prime.

SUMNER 18mm Batten System

SUMNER Tape used over Sumner Board to flash around the meterbox



NOTE: It is essential to fit the meter box tightly into the recess. If the opening is too large a non standard SUMNER approved stretchable tape must be used to seal the joins.

SUMNER Tape used over Sumner Board to flash around the meterbox

SUMNER 18mm Batten System

SUMNER stone veneer fixed with Sumner Bond adhesive to 9mm Sumner Board after first coating with Sumner prime.

Interior Lining

3.5.3

SUMNER Meter Box Detail

SCALE

NTS

DATE

March 12



Original Stone Co Ltd
PO Box 125 029, St Heliers
Auckland 0800 157 340