

**HEAD FLASHING DETAIL**

SUMNER approved stone veneer fully adhered using SUMNER Grip to 9mm SUMNER Board after first coating with SUMNER Primer.

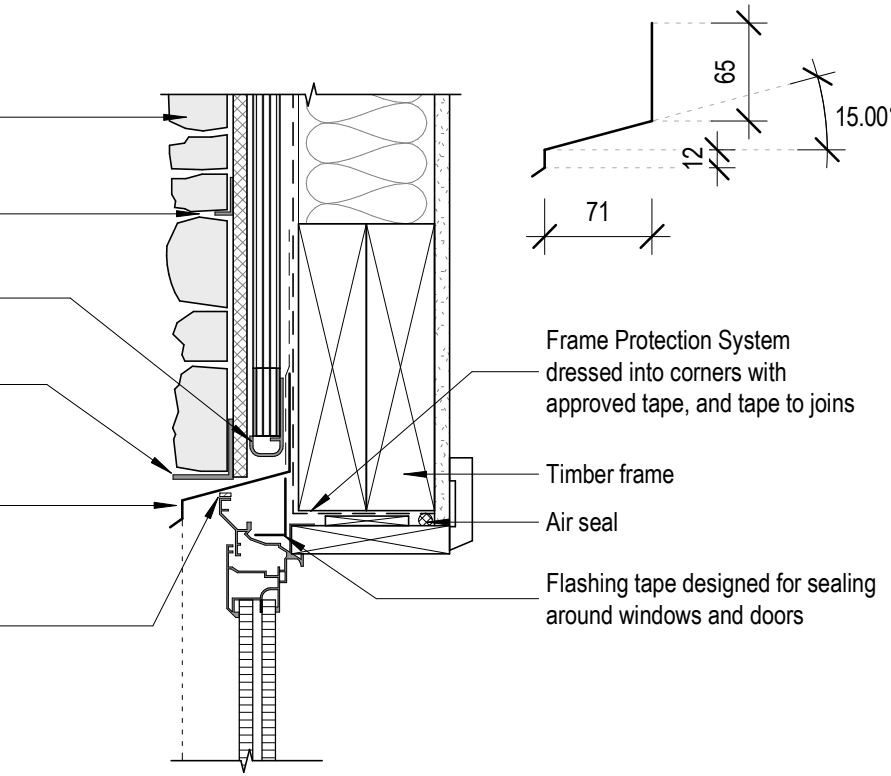
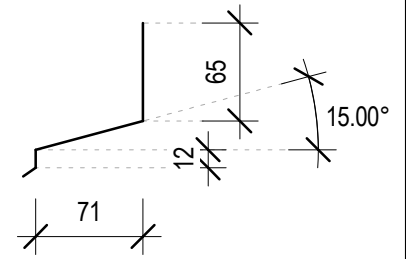
SUMNER L Fixings at 600mm Vertical and Horizontal centres

18mm cavity closer (optional for aesthetic purposes as SUMNER VERMINI Battens have inbuilt vermin proofing)

40x40x3mm window L angle trim by others to set stone off head flashing

Powdercoated head flashing with 71mm upstand and 12mm drip edge to lap jamb L trims by others 20mm either side of window penetration

MS exterior grade sealant between head flashing and stone in very high wind zones and extra high wind zones



Frame Protection System dressed into corners with approved tape, and tape to joins

Timber frame

Air seal

Flashing tape designed for sealing around windows and doors

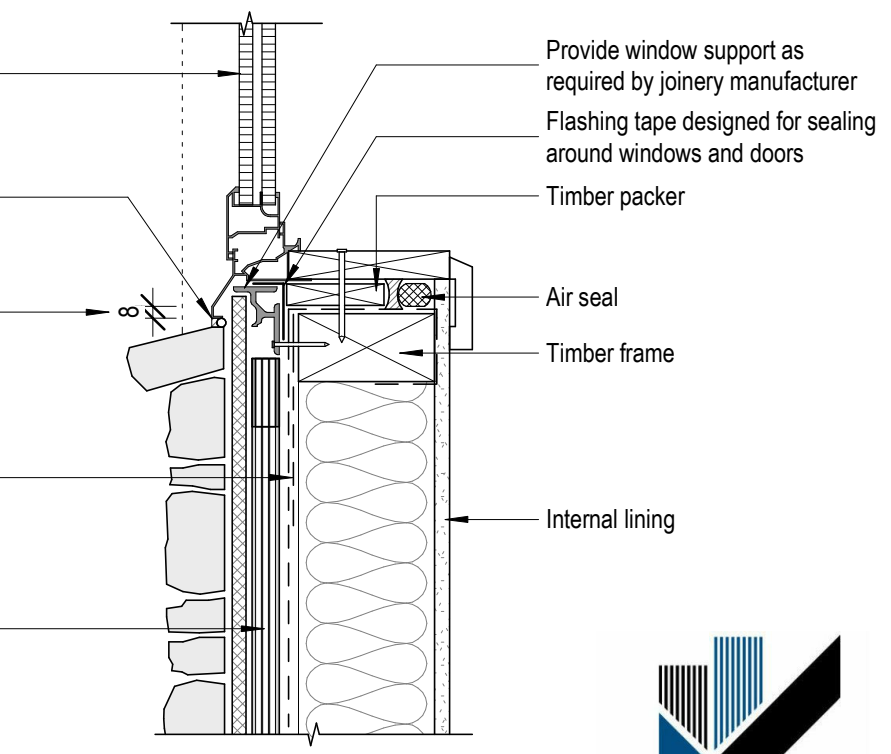
Selected window joinery

MS exterior grade paintable sealant compliant with NZBC installed over PEF backing rod by others continuous along edge between joinery and sheet

Window extrusion to lap 8mm cover to SUMNER Board

Flexible flashing tape continuous along sill 100mm min. up each jamb and 50mm onto face of underlay

SUMNER VERMINI Battens 45x18mm over Frame Protection System complying with NZBC



Provide window support as required by joinery manufacturer

Flashing tape designed for sealing around windows and doors

Timber packer

Air seal

Timber frame

Internal lining



**CODEMARK™**  
BCS-171817-CMNZ



[www.sumnerschist.co.nz/](http://www.sumnerschist.co.nz/)

**Approved Stone Veneer on SUMNER Tile System**

**Window Detail-Abutting Stone-Timber Frame**

Date	April 2019	<b>3.1.0</b>
Drawn by	SUMNER	
Checked by	DS	
Scale		1 : 5