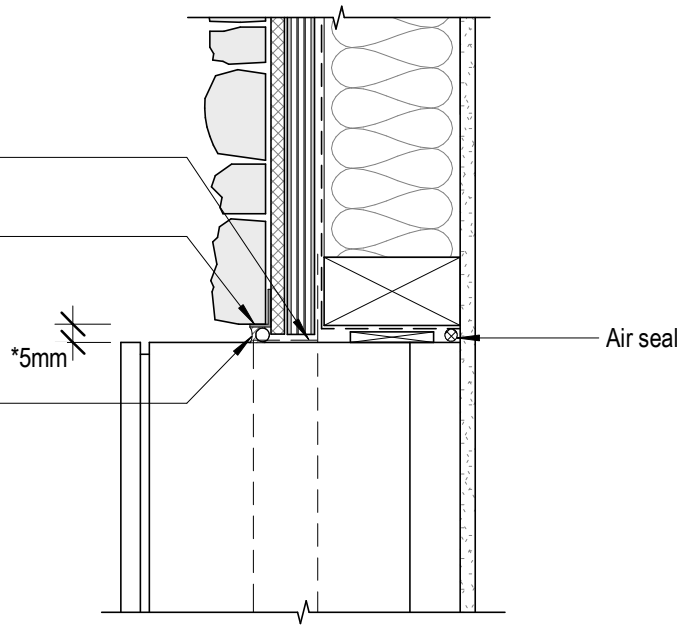


Approved tape used over Frame Protection System to flash around the meter box  
 SUMNER L Fixings at 600mm Vertical and Horizontal centres

MS exterior grade paintable sealant compliant with NZBC installed over PEF backing rod by others

NOTE: It is essential to fit the meter box tightly into the recess. If the opening is too large, a non standard SUMNER approved stretchable tape must be used to seal the joins.



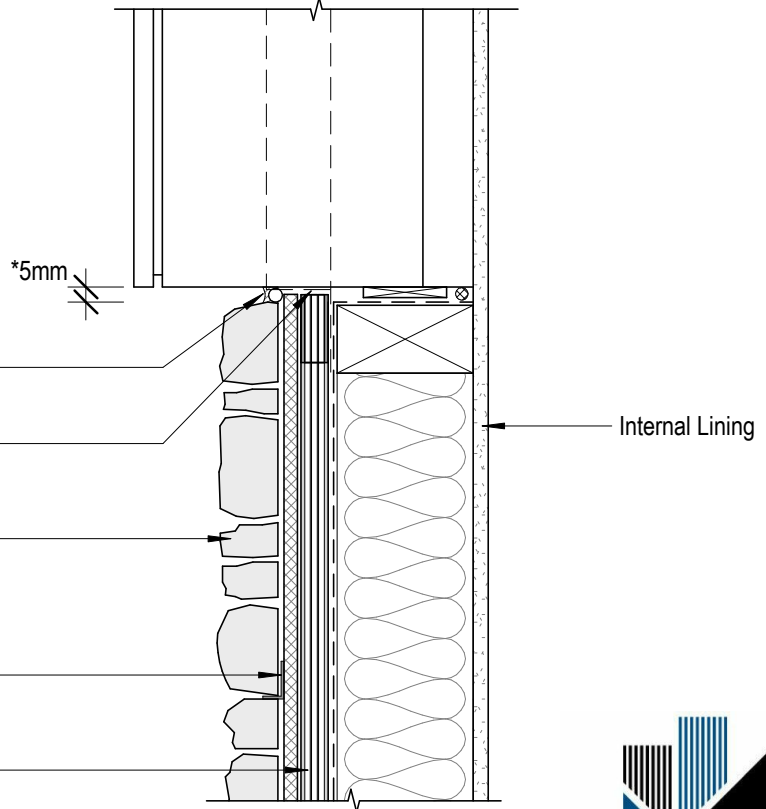
MS exterior grade paintable sealant compliant with NZBC installed over PEF backing rod by others

Approved tape used over Frame Protection System to flash around the meter box

SUMNER approved stone veneer fully adhered using SUMNER Grip to 9mm SUMNER Board after first coating with SUMNER Primer.

SUMNER L Fixings at 600mm Vertical and Horizontal centres

SUMNER VERMINI Battens 45x18mm over Frame Protection System complying with NZBC



\* Minimum 5mm negative detail at perimeter



**CODEMARK™**  
 BCS-171817-CMNZ



**SUMNER**  
 PROFESSIONAL CLADDING SYSTEMS

[www.sumnerschist.co.nz/](http://www.sumnerschist.co.nz/)

## Approved Stone Veneer on SUMNER Tile System

### Meter Box Detail

Date	April 2019
Drawn by	SUMNER
Checked by	DS

**3.5.3**

Scale 1 : 5